

Description & Features:

- Excellent flow regulation and leak tight
- The one-piece body construction (no welding) provides strength, safety and corrosion resistance
- “Slow opening” prevents sudden pressure surge and instrument damage
- Materials include carbon steel, carbon steel NACE, stainless steel, stainless steel NACE
- Available in Hard Seat (6,000 and 10,000 psi)
- ASME B1.20.1 compliant
- CRN registered
- 1 year warranty

Applications:

- Highly reliable throttle and block valve for gas or liquid service in severe duty oil and gas installations including refineries and processing plants as well as water treatment plants, power plants and hydraulic applications

Straight Body Order Codes (products in bold are normally stock in North America)

NPT Connection	Material	Max. Pressure	Code
1/4" Female x	Carbon Steel	6,000 psi	NVA5020
1/4" Female		10,000 psi	NVA6020
1/4" Male x		6,000 psi	NVA5000
1/4" Female		10,000 psi	NVA6000
3/8" Female x		6,000 psi	NVA5024
3/8" Female		10,000 psi	NVA6024
3/8" Male x		6,000 psi	NVA5004
3/8" Female		10,000 psi	NVA6004
1/2" Female x		6,000 psi	NVA5021
1/2" Female		10,000 psi	NVA6021
1/2" Male x		6,000 psi	NVA5001
1/2" Female		10,000 psi	NVA6001
3/4" Female x		6,000 psi	NVA5022
1/2" Female		10,000 psi	NVA6022
3/4" Male x		6,000 psi	NVA5002
1/2" Female		10,000 psi	NVA6002
3/4" Female x		6,000 psi	NVA5025
3/4" Female		10,000 psi	NVA6025
3/4" Male x		6,000 psi	NVA5005
3/4" Female		10,000 psi	NVA6005
1" Female x		6,000 psi	NVA5023
1" Female		10,000 psi	NVA6023
1" Male x		6,000 psi	NVA5003
1" Female		10,000 psi	NVA6003
1/4" Female x	Stainless Steel	6,000 psi	NVA2020
1/4" Female		10,000 psi	NVA3020
1/4" Male x		6,000 psi	NVA2000
1/4" Female		10,000 psi	NVA3000
3/8" Female x		6,000 psi	NVA2024
3/8" Female		10,000 psi	NVA3024
3/8" Male x		6,000 psi	NVA2004
3/8" Female		10,000 psi	NVA3004
1/2" Female x		6,000 psi	NVA2021
1/2" Female		10,000 psi	NVA3021
1/2" Male x		6,000 psi	NVA2001
1/2" Female		10,000 psi	NVA3001
3/4" Female x		6,000 psi	NVA2022
1/2" Female		10,000 psi	NVA3022
3/4" Male x		6,000 psi	NVA2002
1/2" Female		10,000 psi	NVA3002
3/4" Female x		6,000 psi	NVA2025
3/4" Female		10,000 psi	NVA3025
3/4" Male x		6,000 psi	NVA2005
3/4" Female		10,000 psi	NVA3005
1" Female x		6,000 psi	NVA2023
1" Female		10,000 psi	NVA3023
1" Male x		6,000 psi	NVA2003
1" Female		10,000 psi	NVA3003

Option suffix:

CPM = Carbon steel panel mount kit

SPM = Stainless steel panel mount kit

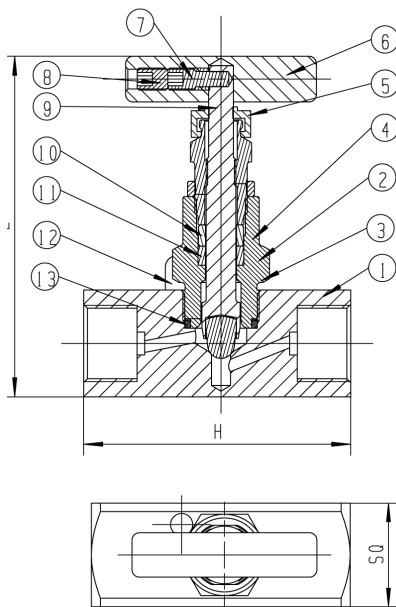
Straight Body NACE Order Codes

NPT Connection	Material	Max. Pressure	Code
1/4" Female x	Carbon Steel (NACE Tip)	6,000 psi	NVA5020N
1/4" Female		10,000 psi	NVA6020N
1/4" Male x		6,000 psi	NVA5000N
1/4" Female		10,000 psi	NVA6000N
3/8" Female x		6,000 psi	NVA5024N
3/8" Female		10,000 psi	NVA6024N
3/8" Male x		6,000 psi	NVA5004N
3/8" Female		10,000 psi	NVA6004N
1/2" Female x		6,000 psi	NVA5021N
1/2" Female		10,000 psi	NVA6021N
1/2" Male x		6,000 psi	NVA5001N
1/2" Female		10,000 psi	NVA6001N
3/4" Female x		6,000 psi	NVA5022N
1/2" Female		10,000 psi	NVA6022N
3/4" Male x		6,000 psi	NVA5002N
1/2" Female		10,000 psi	NVA6002N
3/4" Female x		6,000 psi	NVA5025N
3/4" Female		10,000 psi	NVA6025N
3/4" Male x		6,000 psi	NVA5005N
3/4" Female		10,000 psi	NVA6005N
1" Female x		6,000 psi	NVA5023N
1" Female		10,000 psi	NVA6023N
1" Male x		6,000 psi	NVA5003N
1" Female		10,000 psi	NVA6003N
1/4" Female x	Stainless Steel NACE	6,000 psi	NVA2020N
1/4" Female		10,000 psi	NVA3020N
1/4" Male x		6,000 psi	NVA2000N
1/4" Female		10,000 psi	NVA3000N
3/8" Female x		6,000 psi	NVA2024N
3/8" Female		10,000 psi	NVA3024N
3/8" Male x		6,000 psi	NVA2004N
3/8" Female		10,000 psi	NVA3004N
1/2" Female x		6,000 psi	NVA2021N
1/2" Female		10,000 psi	NVA3021N
1/2" Male x		6,000 psi	NVA2001N
1/2" Female		10,000 psi	NVA3001N
3/4" Female x		6,000 psi	NVA2022N
1/2" Female		10,000 psi	NVA3022N
3/4" Male x		6,000 psi	NVA2002N
1/2" Female		10,000 psi	NVA3002N
3/4" Female x		6,000 psi	NVA2025N
3/4" Female		10,000 psi	NVA3025N
3/4" Male x		6,000 psi	NVA2005N
3/4" Female		10,000 psi	NVA3005N
1" Female x		6,000 psi	NVA2023N
1" Female		10,000 psi	NVA3023N
1" Male x		6,000 psi	NVA2003N
1" Female		10,000 psi	NVA3003N

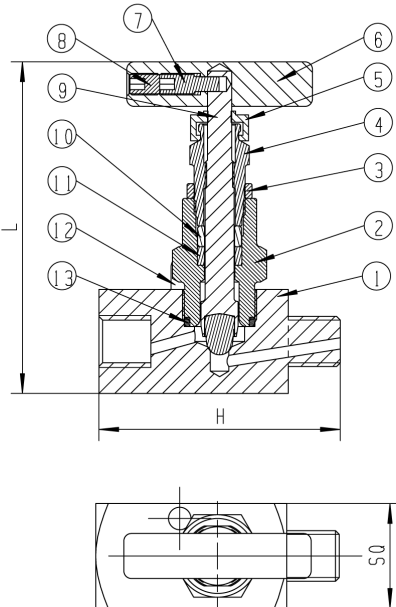
Material

Description	Component Number	Carbon Steel	Carbon Steel NACE	Stainless Steel	Stainless Steel NACE
Body	1	Carbon Steel	Carbon Steel	316 SS	316 SS NACE
Bonnet	2	Carbon Steel	Carbon Steel	316 SS	316 SS NACE
Adapter Locknut	3	Carbon Steel	Carbon Steel	304 SS	304 SS
Adapter	4	316 SS	316 SS NACE	316 SS	316 SS NACE
Dustcap	5	Nylon	Nylon	Nylon	Nylon
Handle	6	Carbon Steel	Carbon Steel	304 SS	304 SS
Screw	7	304 SS	304 SS	304 SS	304 SS
Fastening Screw	8	304 SS	304 SS	304 SS	304 SS
Needle / Needle Tip	9	316 SS	316 SS NACE	316 SS	316 SS NACE
Gland Washer	10	Carbon Steel	Carbon Steel	304 SS	304 SS
Gland Packing	11	PTFE/Graphite	PTFE/Graphite	PTFE/Graphite	PTFE/Graphite
Dwell Pin	12	Carbon Steel	Carbon Steel	304 SS	304 SS
Gland Packing	13	PTFE/Graphite	PTFE/Graphite	PTFE/Graphite	PTFE/Graphite

Female x Female



Male x Female



Dimensions

Size	H	L	SQ
1/4" Female x 1/4" Female	2.56" (65mm)	3.50" (89mm)	1.10" (28mm)
1/4" Male x 1/4" Female	2.56" (65mm)	3.50" (89mm)	1.10" (28mm)
3/8" Female x 3/8" Female	2.56" (65mm)	3.50" (89mm)	1.10" (28mm)
3/8" Male x 3/8" Female	2.56" (65mm)	3.50" (89mm)	1.10" (28mm)
1/2" Female x 1/2" Female	2.76" (70mm)	3.50" (89mm)	1.10" (28mm)
1/2" Male x 1/2" Female	2.76" (70mm)	3.50" (89mm)	1.10" (28mm)
3/4" Female x 1/2" Female	2.83" (72mm)	3.66" (93mm)	1.26" (32mm)
3/4" Male x 1/2" Female	2.83" (72mm)	3.50" (89mm)	1.10" (28mm)
3/4" Female x 3/4" Female	2.83" (72mm)	3.66" (93mm)	1.26" (32mm)
3/4" Male x 3/4" Female	2.83" (72mm)	3.66" (93mm)	1.26" (32mm)
1" Female x 1" Female	3.23" (82mm)	3.98" (101mm)	1.58" (40mm)
1" Male x 1" Female	3.23" (82mm)	3.98" (101mm)	1.58" (40mm)

Panel Mount Kit (CPM/SPM)

