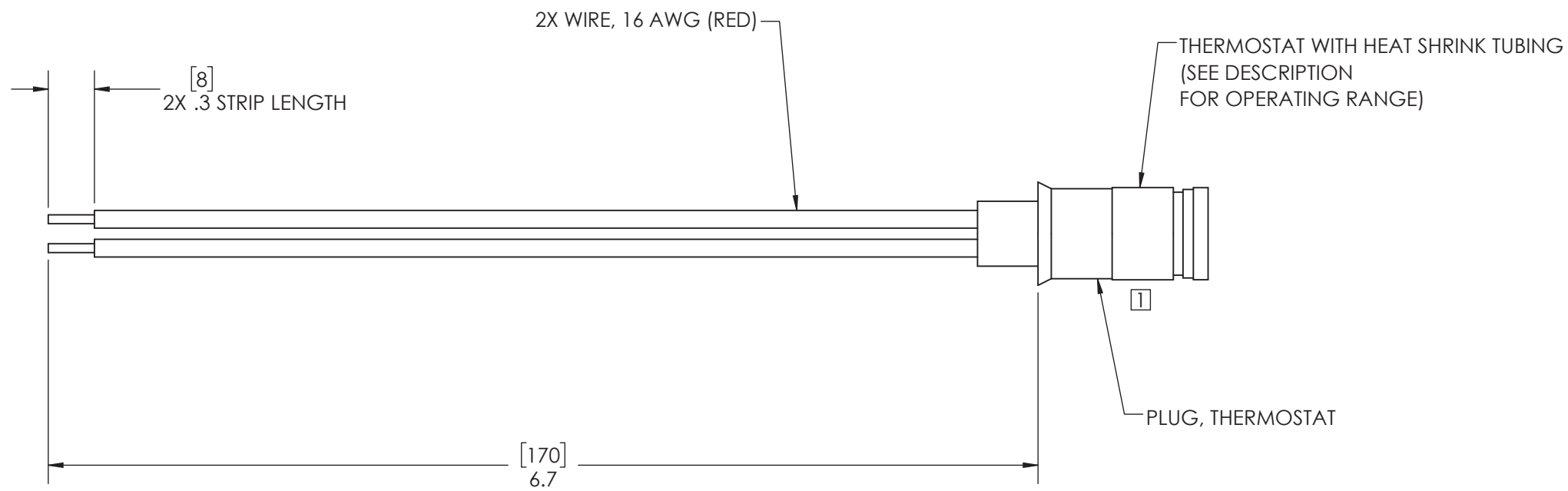



REVISIONS						
REV.	ECO	DATE	DESCRIPTION	AUTH.	DR.	ZONE
1	SI1032	12/03/2020	CORRECTED HEAT SHRINK LOCATION	REM	DG	C3



- NOTES:
1. DIMENSIONS ARE FOR REFERENCE ONLY.
 2. HARNESS SHIPPED LOOSE IN PLASTIC BAG.

HLC-4	HI LIMIT CONTROL 40 TO 60F
HLC-6	HI LIMIT CONTROL 60 TO 80F
HLC-8	HI LIMIT CONTROL 80 TO 100F
HLC-10	HI LIMIT CONTROL 100 TO 120F
HLC-12	HI LIMIT CONTROL 120 TO 140F
HLC-14	HI LIMIT CONTROL 140 TO 160F
HOTSTART PART NUMBER	DESCRIPTION

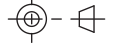


Hotstart SPOKANE, WA.

PROPRIETARY INFORMATION

This drawing and the information shown on it are property of Hotstart, Inc. and are for the sole purpose of doing business with us. Any copying or transmittal to others of this information is strictly prohibited without prior written consent from Hotstart.

HARNESS ASM, ALS HI LIMIT CONTROL

APPROVALS	DATE	UNLESS OTHERWISE SPECIFIED DIMENSIONS ARE IN INCHES [mm]	DWG. NO.
DRAWN BY EMR	11-09-16	TOLERANCES <small>(Except as noted)</small>	A-8387-0S
APPROVED BY BJH	11-09-16		
THIRD ANGLE PROJECTION		.XX ± N/A ANGULAR ± N/A° .XXX ± N/A	SIZE: B ORIGIN: SALES
		DO NOT SCALE DRAWING	SCALE: 1:1 SHEET: 1 OF 1 REV: 1