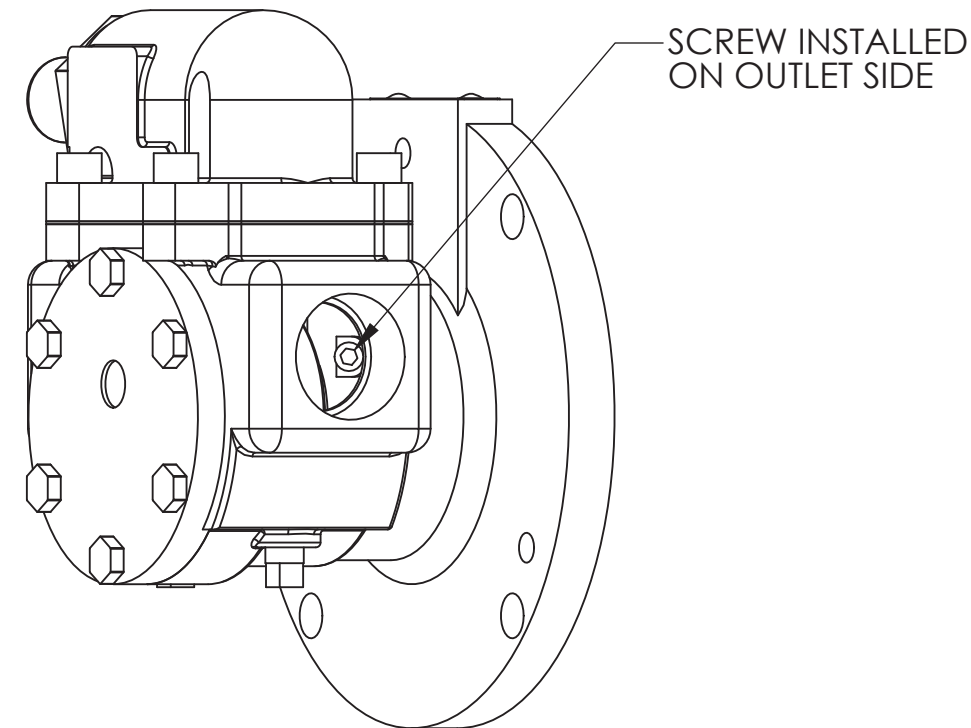
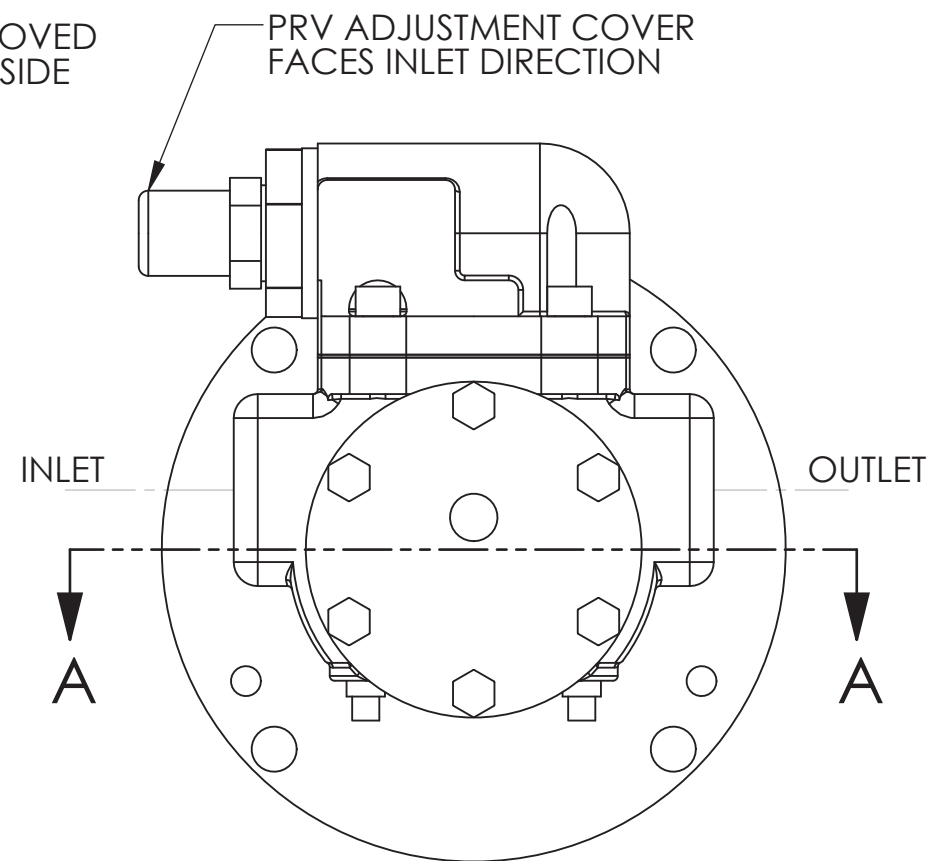
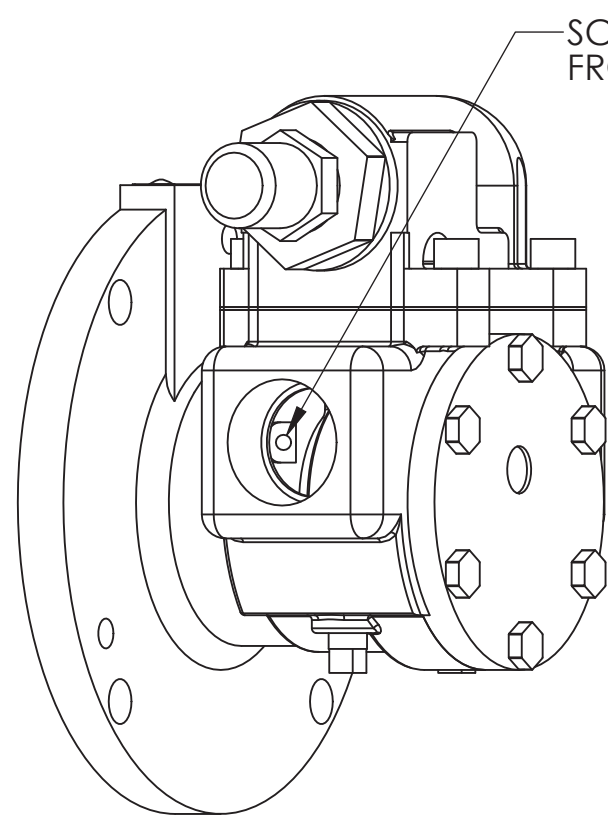
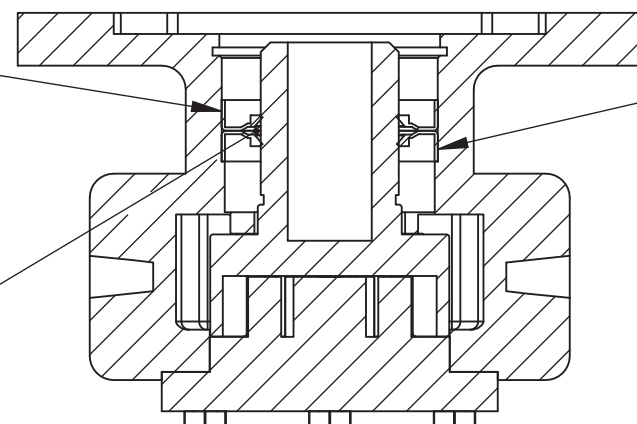


REVISIONS				
REV.	ECO	DATE	DESCRIPTION	DR.



SEALS PACKED FROM SUPPLIER WITH  
DOW44 SILICONE GREASE  
MOLYKOTE(R) 44 HIGH TEMP.  
BEARING GREASE, LIGHT


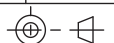
OIL SEAL 2  
INSTALL UP  
TO SEAL 1



OIL SEAL 1  
INSTALL UP  
TO LEDGE

SECTION A-A

228043-009	PUMP GG75 W/VITON 7/8B 2 STEP 76psi LIP SEAL
PART NUMBER	DESCRIPTION

		<b>HOTSTART, INC.</b> SPOKANE, WA. PROPRIETARY INFORMATION <small>This drawing and the information shown on it are property of Hotstart, Inc. and are for the sole purpose of doing business with us. Any copying or transmittal to others of this information is strictly prohibited without prior written consent Hotstart.</small>		
		<b>HOTSTART</b>		
TITLE		GG75 OIL PUMP WITH LIP SEALS		
APPROVALS	DATE	UNLESS OTHERWISE SPECIFIED DIMENSIONS ARE IN INCHES [mm]	DWG. NO.	
DRAWN BY	KF 06-21-13	TOLERANCES	228043-009	
APPROVED BY	BB 07-22-13	.XX ± N/A ANGULAR ± N/A°	SIZE	ORIGIN
THIRD ANGLE PROJECTION		DO NOT SCALE DRAWING	B	CO8007
		SCALE	SHEET	REV.
		1:2	1 OF 1	00