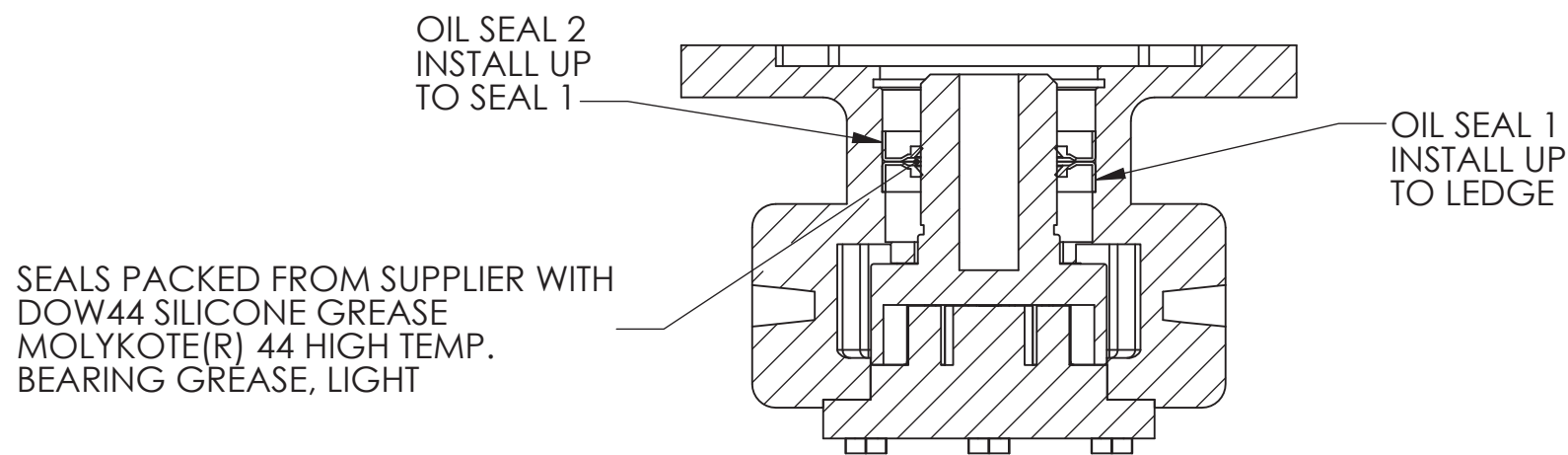
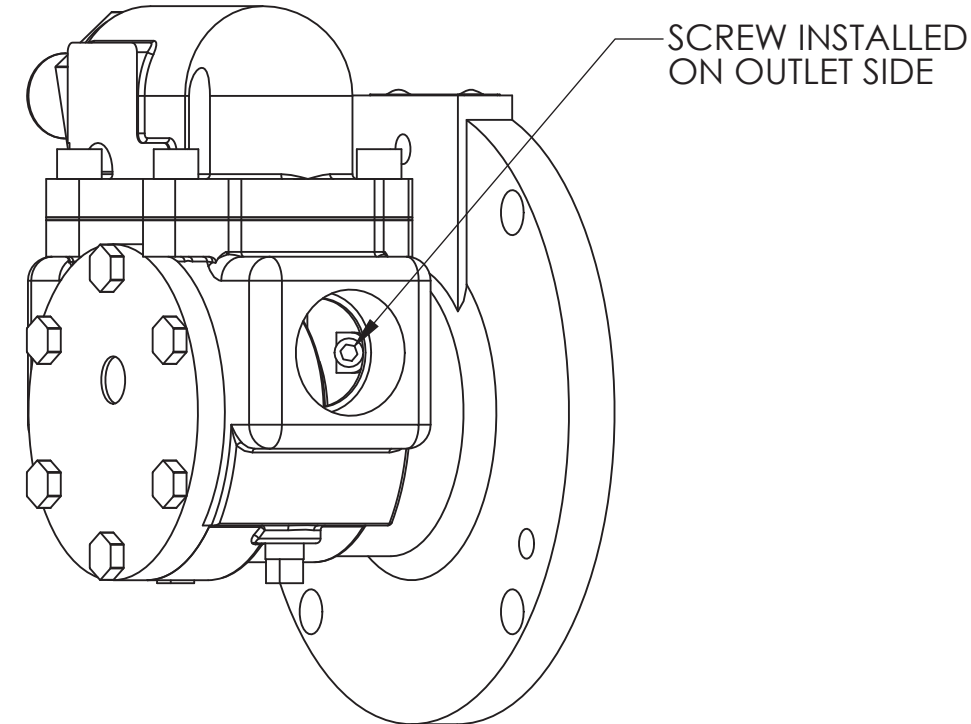
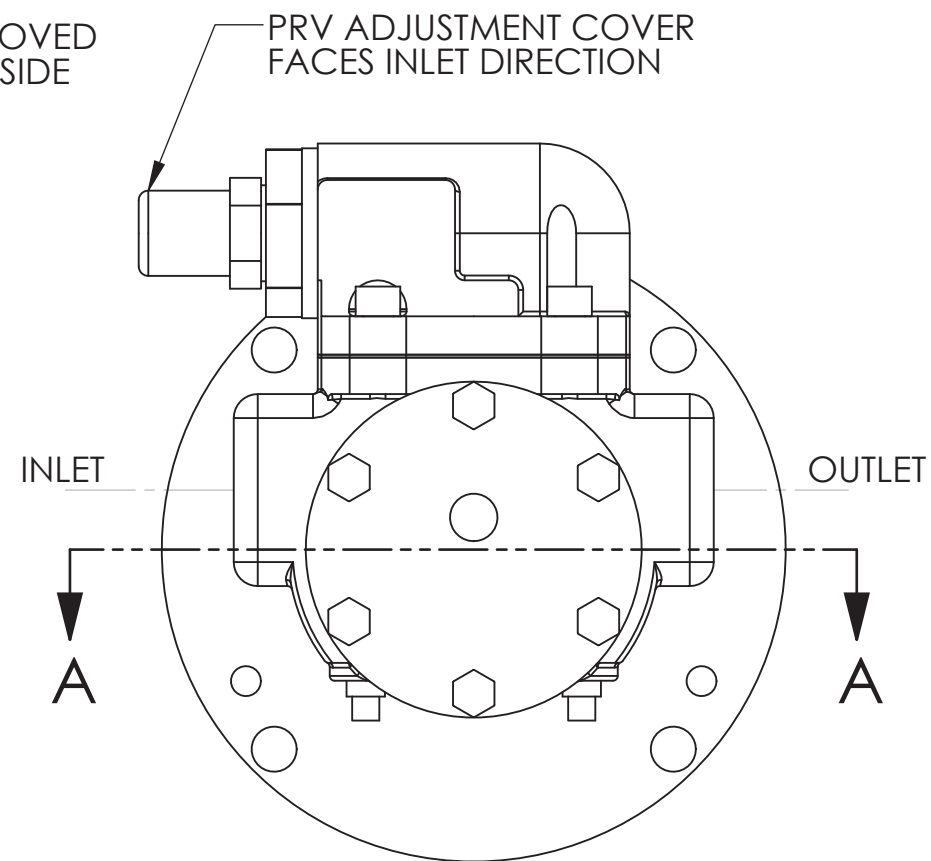
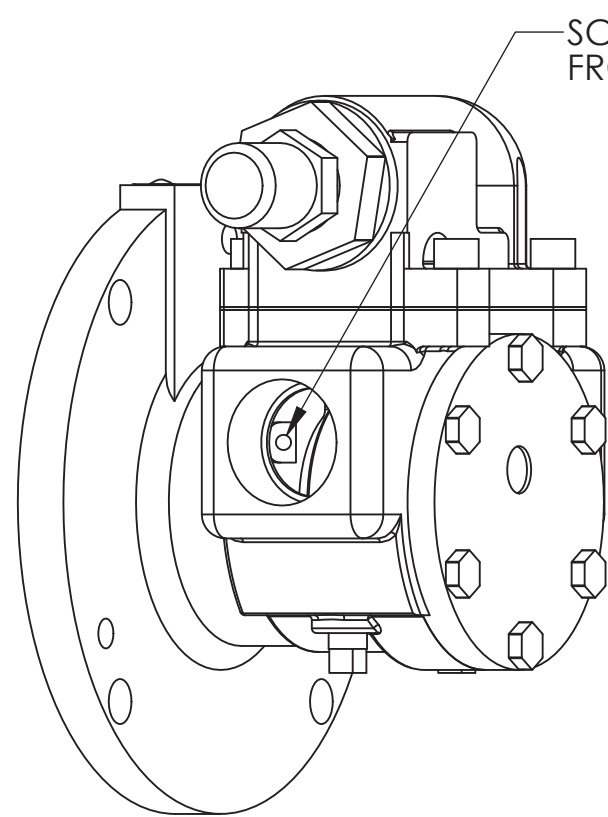


REVISIONS				
REV.	ECO	DATE	DESCRIPTION	DR.



SECTION A-A

228043-010	PUMP GG75 W/VITON 5/8B 2 STEP 75psi LIP SEAL
PART NUMBER	DESCRIPTION

		HOTSTART, INC. SPOKANE, WA. PROPRIETARY INFORMATION <small>This drawing and the information shown on it are property of Hotstart, Inc. and are for the sole purpose of doing business with us. Any copying or transmittal to others of this information is strictly prohibited without prior written consent Hotstart.</small>		
		GG75 OIL PUMP 5/8SHAFT WITH LIP SEALS		
APPROVALS	DATE	<small>UNLESS OTHERWISE SPECIFIED DIMENSIONS ARE IN INCHES [mm]</small> <small>TOLERANCES (except as noted)</small> .XX ± N/A ANGULAR ± N/A° .XXX ± N/A DO NOT SCALE DRAWING	DWG. NO.	
DRAWN BY	06-21-13		228043-010	
APPROVED BY	07-22-13	SIZE	ORIGIN	
THIRD ANGLE PROJECTION		B	CO8007	
		SCALE	SHEET	
		1:2	1 OF 1	
		REV.	00	