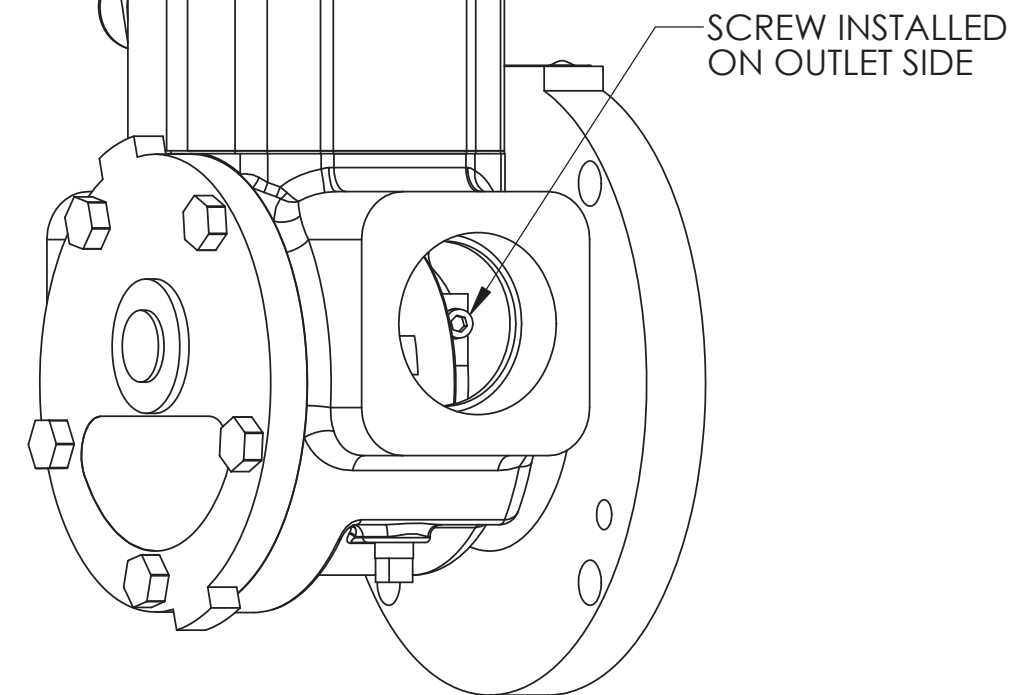
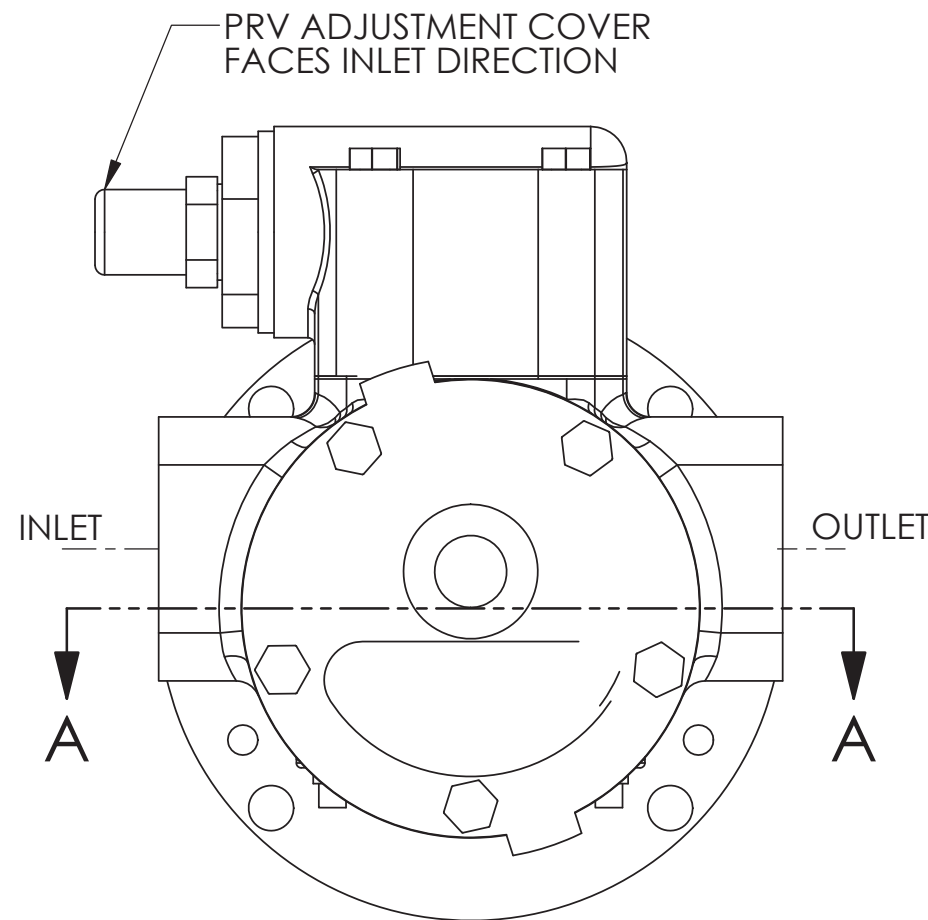
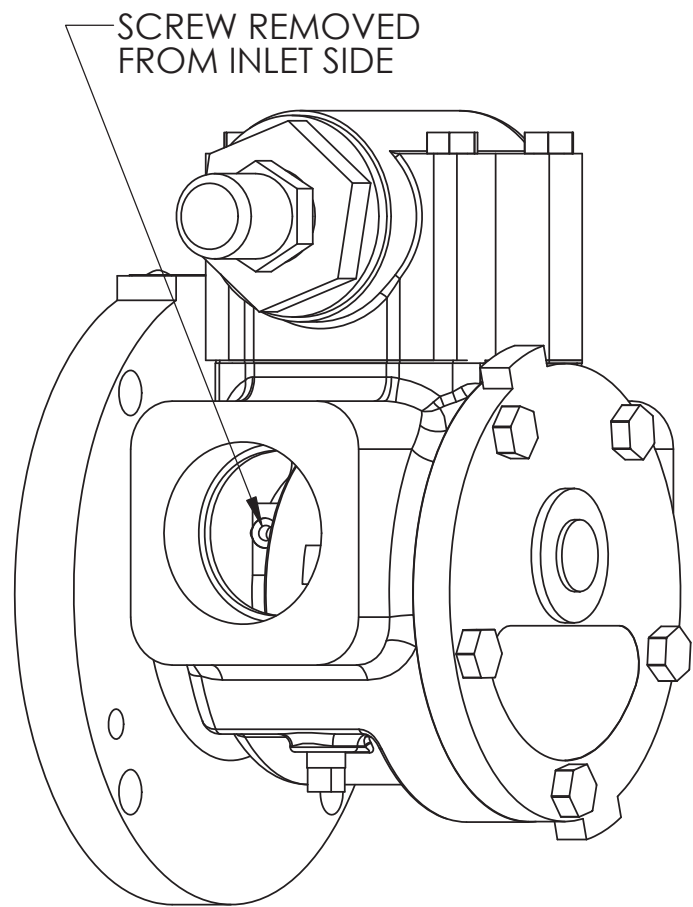
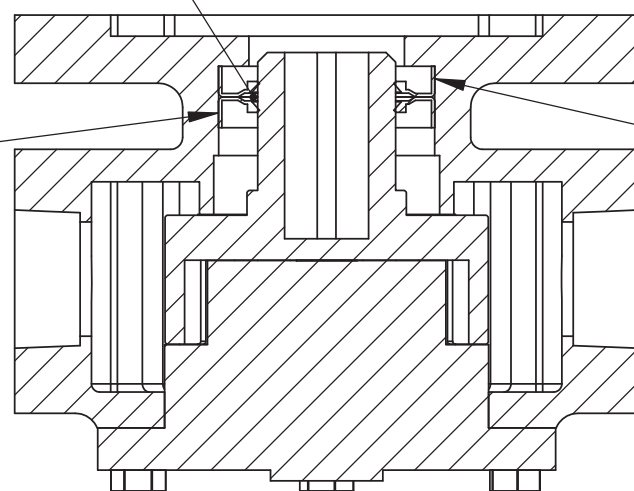


REVISIONS					
REV.	ECO	DATE	DESCRIPTION	AUTH.	DR.
1	8790	12/2/2015	UPDATED DESCRIPTION	SSO	DG
2	8790	1/11/2016	UPDATED DESCRIPTION/DELETED REVERSED	SSO	DG




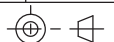
SEALS PACKED FROM SUPPLIER WITH
DOW44 SILICONE GREASE
MOLYKOTE(R) 44 HIGH TEMP.
BEARING GREASE, LIGHT

OIL SEAL 2
INSTALL UP
TO SEAL 1



OIL SEAL 1
INSTALL UP
TO LEDGE

SECTION A-A

		HOTSTART, INC. SPOKANE, WA. PROPRIETARY INFORMATION <small>This drawing and the information shown on it are property of Hotstart, Inc. and are for the sole purpose of doing business with us. Any copying or transmittal to others of this information is strictly prohibited without prior written consent Hotstart.</small>			
		TITLE: HJ75 OIL PUMP WITH LIP SEALS 1 2			
APPROVALS	DATE	UNLESS OTHERWISE SPECIFIED DIMENSIONS ARE IN INCHES [mm]	DWG. NO.		
DRAWN BY	06-21-13		228048-004		
APPROVED BY	07-22-13	TOLERANCES	SIZE	ORIGIN	
		<small>(Except as noted)</small> .XX ± N/A ANGULAR ± N/A° .XXX ± N/A	B	CO8007	
THIRD ANGLE PROJECTION		DO NOT SCALE DRAWING	SCALE	SHEET	REV.
			1:2	1 OF 1	02

228048-004	PUMP HJ75 W/VITON 7/8 2 STEP 75psi LIP SEAL	1 2
PART NUMBER	DESCRIPTION	