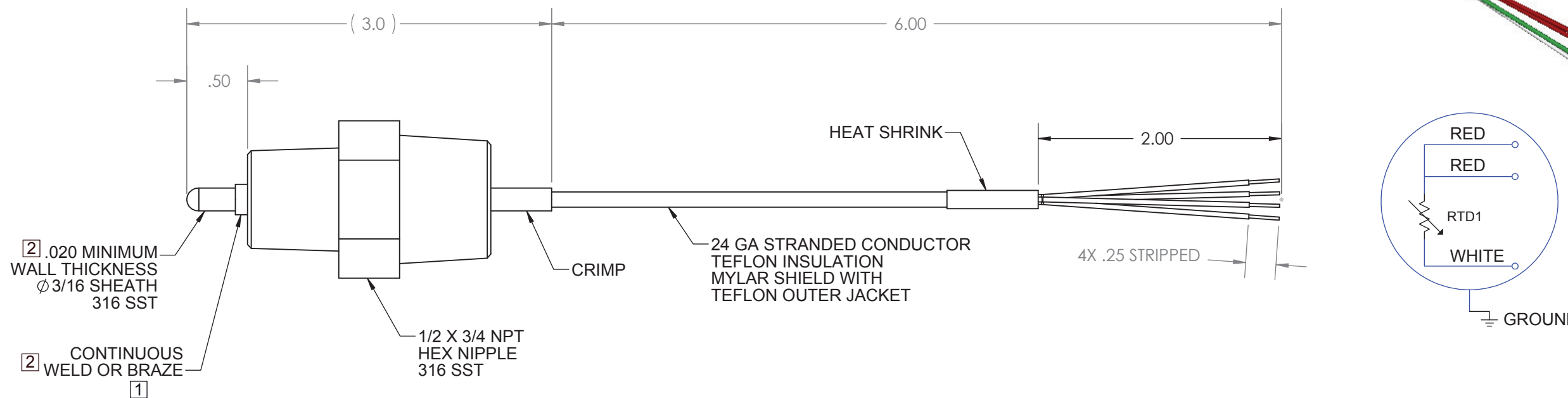
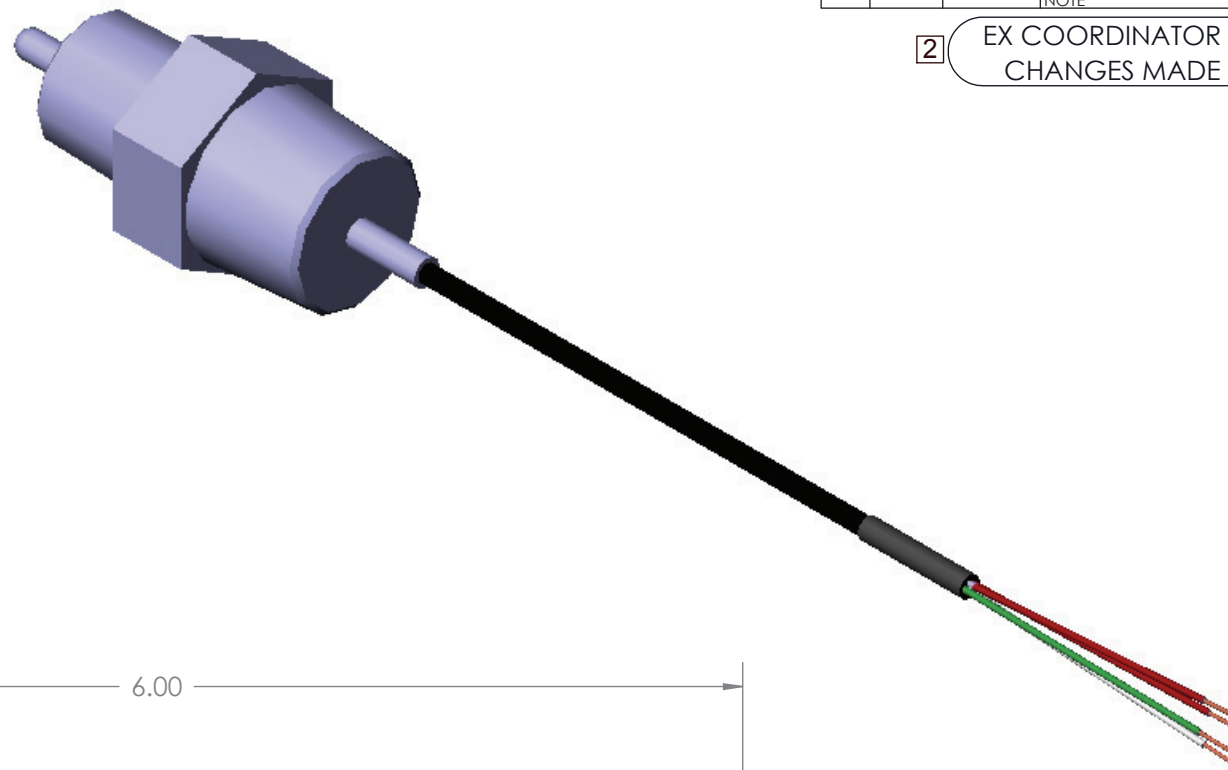


REVISIONS						
REV.	ECO	DATE	DESCRIPTION	AUTH.	DR.	ZONE
1	6714	7/6/2016	ADDED TO WELD NOTE	MA	KP	B8
2	9397	10/11/2018	ADDED MIN. WALL THICKNESS CONTINUOUS WELD TO NOTES. & ADDED EX COORDINATOR NOTE	BJH	DG	B8, D2

2 EX COORDINATOR MUST APPROVE ALL CHANGES MADE TO THIS DRAWING



224066-006	PT100 3/16 X 0.5 LG .5NPT X .75NPT
PART NUMBER	DESCRIPTION

HOTSTART **HOTSTART, INC.** SPOKANE, WA.
 PROPRIETARY INFORMATION
 This drawing and the information shown on it are property of Hotstart, Inc. and are for the sole purpose of doing business with us. Any copying or transmittal to others of this information is strictly prohibited without prior written consent from Hotstart.

TITLE: PT100 3/16 X 0.5 LG .5NPT X .75NPT

APPROVALS	DATE	UNLESS OTHERWISE SPECIFIED DIMENSIONS ARE IN INCHES [mm]	DWG. NO.
DRAWN BY: KF	09-11-12	TOLERANCES (Except as noted) .XX ± .13 ANGULAR ± N/A° .XXX ± N/A	224066-006
APPROVED BY: MA	09-11-12		SIZE: B ORIGIN: CO7744
THIRD ANGLE PROJECTION		DO NOT SCALE DRAWING	SCALE: 1:1 SHEET: 1 OF 1 REV: 02