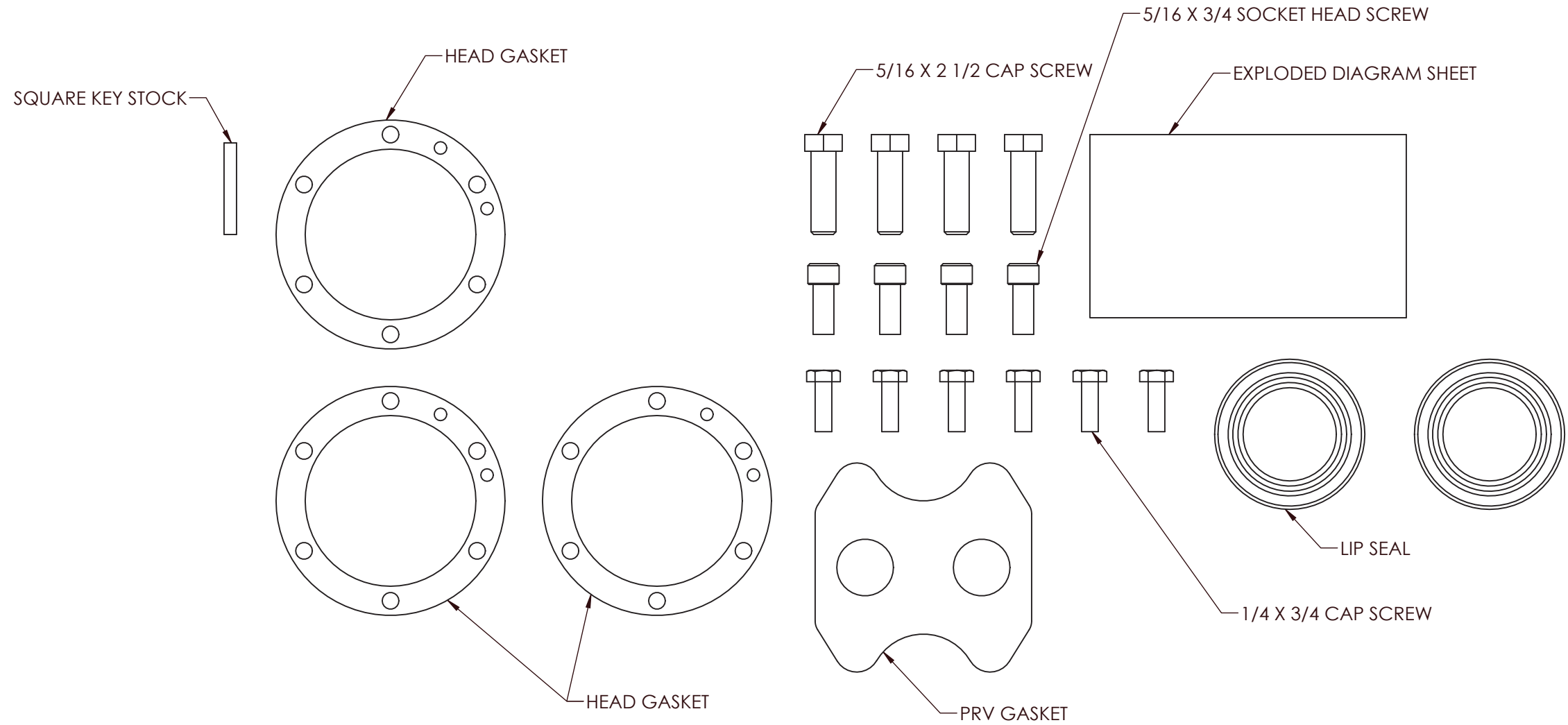



REVISIONS						
REV.	ECO	DATE	DESCRIPTION	AUTH.	DR.	ZONE



PRP228043-300	SEAL KIT, VIKING GG75 LIP SEAL
PART NUMBER	DESCRIPTION



**HOTSTART, INC.** SPOKANE, WA.  
 PROPRIETARY INFORMATION  
This drawing and the information shown on it are property of Hotstart, Inc. and are for the sole purpose of doing business with us. Any copying or transmittal to others of this information is strictly prohibited without prior written consent from Hotstart.

TITLE		SEAL KIT, VIKING GG75 LIP SEAL		DWG. NO.		PRP228043-300	
APPROVALS	DATE	UNLESS OTHERWISE SPECIFIED DIMENSIONS ARE IN INCHES [mm]		SIZE	ORIGIN	REV.	
DRAWN BY DG	04-07-17	TOLERANCES <small>(Except as noted)</small>		B	CO9103	1:2	1 OF 1
APPROVED BY BJH	05-11-17	.XX ± N/A    ANGULAR ± N/A° .XXX ± N/A				SCALE	SHEET
THIRD ANGLE PROJECTION		DO NOT SCALE DRAWING				1:2	1 OF 1

8 7 6 5 4 3 2 1

D  
C  
B  
A

D  
C  
B  
A

8 7 6 5 4 3 2 1