

**APPROVED**

By Mike Abbott at 12:54 pm, Feb 02, 2016

**BALDOR**  
A MEMBER OF THE ABB GROUP

**BALDOR® • RELIANCE**

**Product Information Packet**

**HOTSTART MFG CO INC**

**1200619016 (PO# 236140-002)**

**36N845S266G1**

**3HP,1760RPM,3PH,60HZ,182C,3631M,XPFC,F3**

weight = 108 lbs

Altitude Rating = 7180 FASL BJH 12-04-17

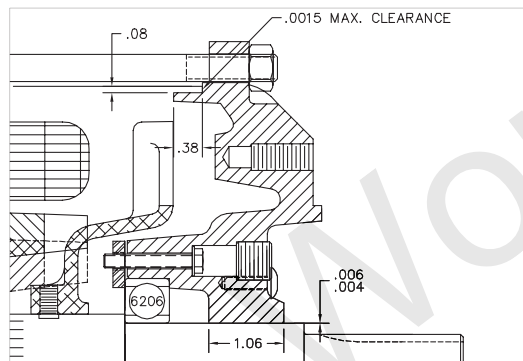
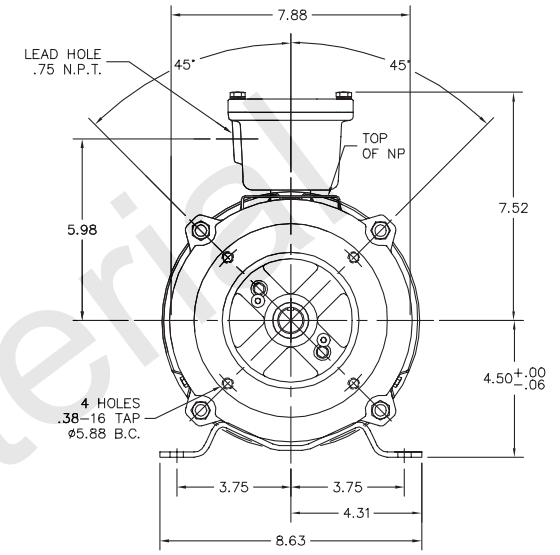
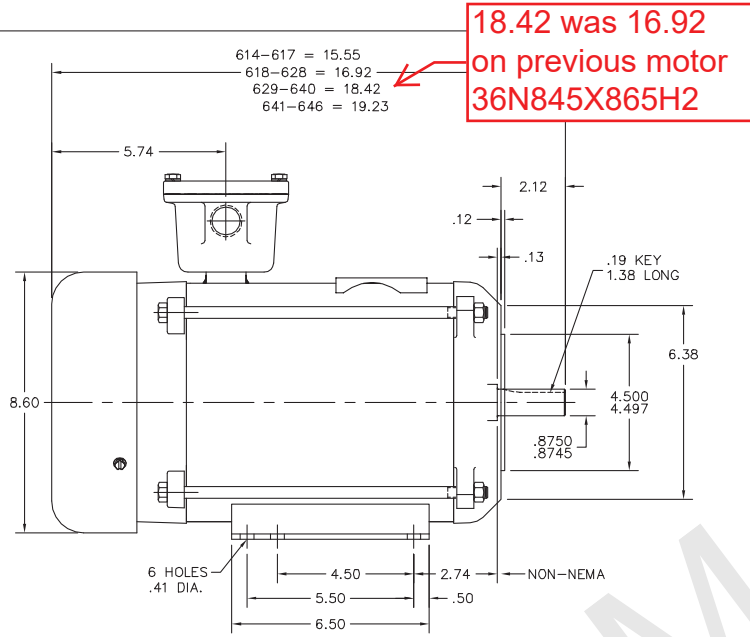
Part Detail							
Revision:	-	Status:	PRD/I	Change #:		Proprietary:	Yes
Type:	AC	Prod. Type:	3631M	Elec. Spec:	36WGS266	CD Diagram:	CD0005
Enclosure:	XPFC	Mfg Plant:		Mech. Spec:	36N845	Layout:	36LYN845
Frame:	182C	Mounting:	F3	Poles:	04	Created Date:	12-15-2015
Base:	RG	Rotation:	R	Insulation:	B	Eff. Date:	12-31-9998
Leads:	9#16					Replaced By:	
Literature:		Elec. Diagram:					

In-Work Material

<b>Nameplate NP1426XPSLEV</b>					
NO.		CC	010A		
SER.					
SPEC.	36N845S266G1				
CAT.NO.	236140-002				
HP	3	T. CODE	T3C		
VOLTS	208-230/460				
AMPS	9-8.4/4.2				
RPM	1760				
HZ	60	PH	3	CL	B
SER.F.	1.00	DES	B	CODE	K
RATING	40C AMB-CONT				
FRAME	182C	NEMA-NOM-EFF	89.5		
USABLE AT 208V		PF	75		
BLANK					

Parts List		
Part Number	Description	Quantity
36WGS266-C001	3,4,3631M,N,CD0005,CS0576,36SL436H,36RC4	1.000 EA
36WGS266-R066	3,4,3631M,N,CD0005,XPFC,B,60,3 HP,208-23	1.000 EA
36N845	XPFC RG 182-184C GP M N F3	1.000 EA
MJ1000A75	GREASE, POLYREX EM EXXON (USe 4824-15A)	0.050 LB
HW1025A10	#10 BALANCE WASHER (SPL)	4.000 EA
BG6205C03	6205 D.SH,C3,POLYREX EM	1.000 EA
BG6206C03	6206 D.SH,C3,POLYREX EM	1.000 EA
MG1025L03	RAL9005 BLACK WF 776.17 GLOSS 35-45	0.022 GA
TP5050A01	T'STAT, 7AM034A5 (NC) (TI)	1.000 EA
36SB7197C00	BAND ASSY, HORZ	1.000 EA
36SH5434C01	SHAFT	1.000 EA
HA3105A09	THRUBOLT 3/8-16 X 12.000	4.000 EA
MG5017	VARNISH - PDG 2500	0.050 GA
LB1119N	WARNING LABEL	1.000 EA
LB1417	LABEL CARTON 6X4 PERFORATED BLANK ROLLS	1.000 EA
LC0006	CONNECTION LABEL	1.000 EA
NP1426XPSLEV	SS XP UL CSA-EEV CC CL-I GP-D	1.000 EA
G0PA1000	PKG GRP, PRINT PK1026A06	1.000 EA
MN416A01	TAG-INSTAL-MAINT no wire (1200/bx) 11/14	1.000 EA

36LYN845



PULLEY END DETAIL

CUSTOMER IS RESPONSIBLE FOR DETERMINING THAT BALDOR'S PRODUCT WILL PERFORM SUITABLY IN THE INTENDED APPLICATION.

REV. DESC: NEW	VERSION: 00	TDR: 000000778099
REV. LTR: -	REVISED: 03:01:16 12/18/2012	BY: ENSTEKO
FILE: \AAA\00196\980		
MTL: -		

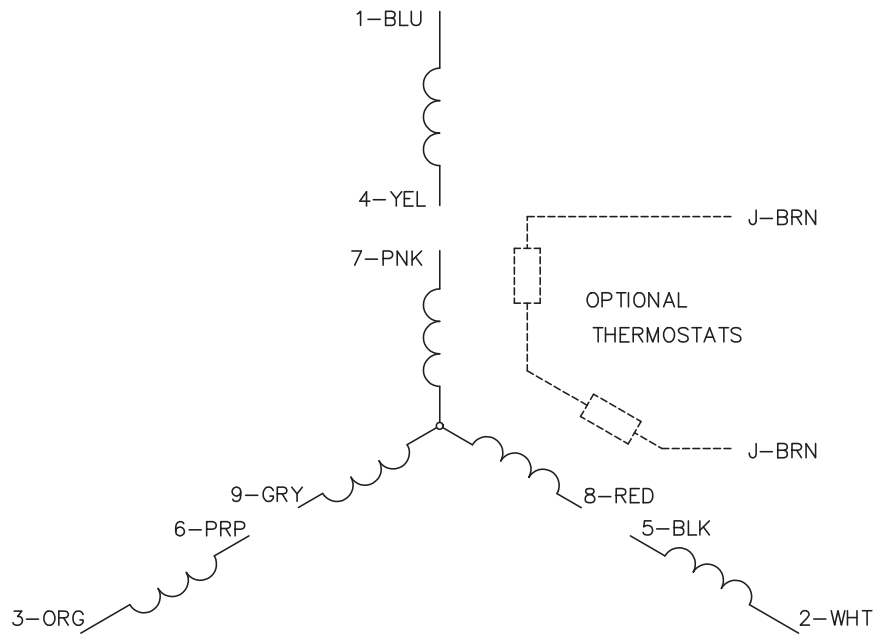
**BALDOR**

HORZ 182-4C XPFC M F3 CL-I GP-D, CL-II GP-F&G, EPACT STACKS

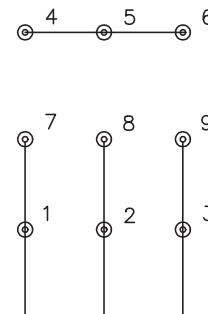
SH 1 of 1

36LYN845

CD0005

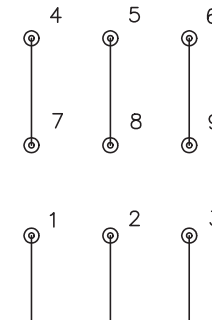


LOW VOLTAGE  
(2Y)



LINE

HIGH VOLTAGE  
(1Y)



LINE

NOTES:

1. INTERCHANGE ANY TWO LINE LEADS TO REVERSE ROTATION.
2. OPTIONAL THERMOSTATS ARE PROVIDED WHEN SPECIFIED.
3. ACTUAL NUMBER OF INTERNAL PARALLEL CIRCUITS MAY BE A MULTIPLE OF THOSE SHOWN ABOVE.
4. LEAD COLORS ARE OPTIONAL. LEADS MUST ALWAYS BE NUMBERED AS SHOWN.

REV. DESC: REVISE TO SHOW OPTIONAL COLORS			
REV. LTR: E	BY: JLP	REVISED: 01/19/99 10:15	TDR: 0171435
900003		FILE: AAA00005140	MDL: -
		MTL: -	

**BALDOR ELECTRIC Co.**

3PH, DV, 9 LEADS

CD0005